

## EK-S31P8D46T2-V2



### Key Features

#### NVR301-08S3-P8

- Support Ultra 265/H.265/H.264 video formats
- 8-channel input
- Plug & Play with 8 independent PoE network interfaces
- Support mainstream cameras of ONVIF conformance(Profile S, Profile G, Profile T ) and RTSP protocols
- Support 1-ch HDMI, 1-ch VGA, HDMI at up to 4K(3840x2160) resolution
- HDMI and VGA simultaneous output
- Up to 4K resolution recording
- 1 SATA HDD, up to 8TB
- Support cloud upgrade

**EC-D4F28M**

- Day/night functionality
- Smart IR, up to 30 m (98 ft) IR distance
- 2D/3D DNR (Digital Noise Reduction)
- Ultra 265, H.265, H.264, MJPEG
- ROI (Region of Interest)
- ONVIF Conformance
- Wide temperature range: -30°C ~ +60°C (-22°F ~ 140°F)
- Wide voltage range of ±25%
- IK10 vandal resistant
- IP67

## Specifications

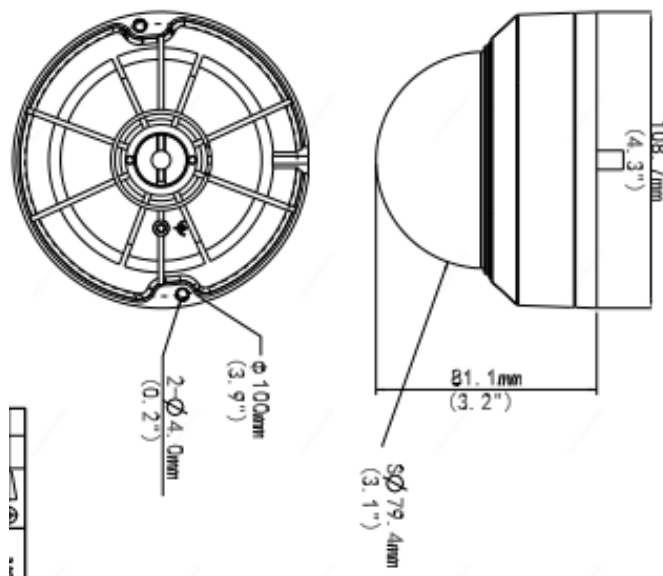
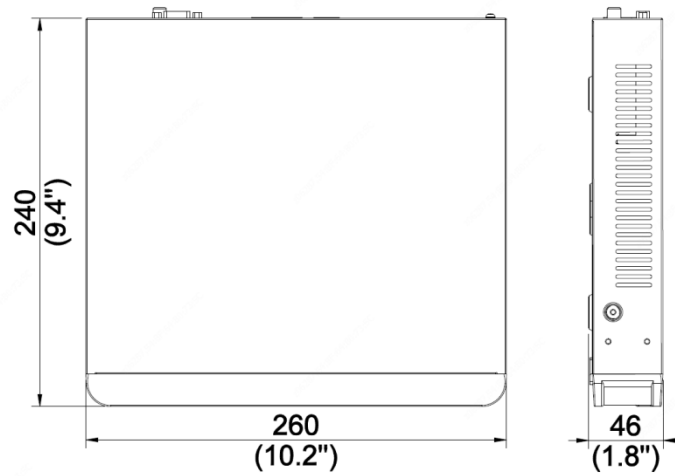
| Model                       | NVR301-08S3-P8  |
|-----------------------------|---|
| <b>Video/Audio Input</b>    |   |
| IP Video Input              | 8-ch  |
| <b>Network</b>              |   |
| Incoming Bandwidth          | 64Mbps  |
| Outgoing Bandwidth          | 48Mbps  |
| Remote Users                | 128   |
| Protocols                   | TCP/IP, P2P, UPnP, NTP, DHCP, PPPoE, HTTP, HTTPS, DNS, DDNS, SNMP, SMTP   |
| <b>Video/Audio Output</b>   |   |
| HDMI/VGA Output             | HDMI:<br>4K(3840x2160)/30Hz, 1920x1080p/60Hz, 1920x1080p/50Hz, 1600x1200/60Hz, 1280x1024/60Hz, 1280x720/60Hz, 1024x768/60Hz<br>VGA:<br>1920x1080p/60Hz, 1920x1080p/50Hz, 1600x1200/60Hz, 1280x1024/60Hz, 1280x720/60Hz, 1024x768/60Hz |
| Recording Resolution        | 4K/5MP/4MP/3MP/1080p/960p/720p/D1/2CIF/CIF  |
| Audio Output                | 1-ch, RCA   |
| Audio Compression           | G.711A, G.711U  |
| Synchronous Playback        | 8-ch  |
| Liveview display            | 1/4/6/8/9   |
| Corridor Mode Screen        | 3/4/5/7/9   |
| <b>Snapshot</b>             |   |
| FTP/Schedule/Event Snapshot | 1-ch snapshot, up to D1 resolution  |
| <b>Decoding</b>             |   |
| Decoding format             | Ultra 265/H.265/H.264   |

|   |   |
|---|---|
| Liveview/Playback                               | 4K/5MP/4MP/3MP/1080p/960p/720p/D1/2CIF/CIF  |
| Capability                                      | 1 x 4k@30, 1 x 5MP@30, 2 x 4MP@30, 4 x 3MP@25, 4 x 1080p@30, 8 x 720p@30  |
| <b>Hard Disk</b>                                |   |
| SATA  | 1 SATA interface  |
| Capacity  | Up to 8TB for each disk<br>(The maximum HDD capacity varies with environment temperature)   |
| <b>Smart</b>                                    |   |
| VCA Detection by Camera                         | Intrusion Detection, Cross Line Detection, Enter Area, Leave Area, Audio Detection, Ultra Motion Detection(UMD)                                   |
| VCA Search                                      | Intrusion Detection, Cross Line Detection, Enter Area, Leave Area, Ultra Motion Detection(UMD)  |
| Smart Intrusion Prevention (SIP), UMD by Camera | Total 4-ch  |
| <b>General Alarm</b>                            |   |
| General Alarm                                   | Motion, Tampering, Human Body Detection, Video Loss, Alarm Input  |
| Alert Alarm                                     | IP Conflict, Network Disconnected, Disk Offline , Disk Abnormal, Illegal Access, Hard Disk Space Low, Hard Disk Full, Recording/Snapshot Abnormal |
| <b>External Interface</b>                       |   |
| Network Interface                               | 1 RJ-45 10M/100Mself-adaptive Ethernet Interface  |
| USB Interface                                   | Rear panel: 2 x USB2.0  |
| RS232   | NA  |
| RS485   | NA  |
| Alarm In  | NA  |
| Alarm Out                                       | NA  |
| <b>PoE</b>                                      |   |
| Interface                                       | 8 RJ-45 10M/100Mself-adaptive Ethernet Interface  |
| Max Power                                       | Max 30W for single port<br>Max 75W in total   |
| Supported Standard                              | IEEE 802.3at, IEEE 802.3af  |
| <b>General</b>                                  |   |
| Power Supply                                    | 52V DC<br>Power Consumption: ≤9 W (without HDD)   |
| Working Environment                             | -10°C ~ + 55°C (+14°F ~ +131°F), Humidity ≤ 90% RH (non-condensing)   |
| Dimensions (W×D×H)                              | 260mm ×240mm × 46 mm (10.2" × 9.4" ×1.8")   |
| Weight (without HDD)                            | ≤1.1kg (2.43lb)   |
| <b>Certification</b>                            |   |
| Certification                                   | CE, FCC, UL, RoHS, WEEE   |
| CE  | EN 55032: 2015, EN 61000-3-3: 2013, EN IEC 61000-3-2: 2019, EN 55035: 2017  |
| FCC   | Part15 Subpart B, ANSI C63.4  |
| <b>Model</b>                                    | <b>EC-D4F28M</b>  |
| <b>Camera</b>                                   |   |
| Sensor  | 1/3", progressive scan, 4.0 megapixel, CMOS   |
| Minimum Illumination                            | Colour: 0.01Lux (F2.0, AGC ON)<br>0Lux with IR  |
| Day/Night                                       | IR-cut filter with auto switch (ICR)  |

|                         |   |            |             |               |              |
|-------------------------|---|------------|-------------|---------------|--------------|
| Shutter                 | Auto/Manual, 1 ~ 1/100000s  |            |             |               |              |
| Adjustment angle        | Pan 8° to 360° , Tilt: 0° to 68°, Rotate: 10° to 360°   |            |             |               |              |
| S/N                     | >56dB   |            |             |               |              |
| WDR                     | DWDR  |            |             |               |              |
| <b>Lens</b>             |   |            |             |               |              |
| Lens Type               | 2.8mm @2.0, Fixed-focal   |            |             |               |              |
| Lens Mount              | M12   |            |             |               |              |
| Angle of View (H)       | 97.0°   |            |             |               |              |
| Angle of View (V)       | 52.2°   |            |             |               |              |
| Angle of View (O)       | 107.5°  |            |             |               |              |
| <b>DORI</b>             |   |            |             |               |              |
| DORI Distance           | Lens (mm)   | Detect (m) | Observe (m) | Recognize (m) | Identify (m) |
|                         | 2.8   | 63.0       | 25.2        | 12.6          | 6.3          |
| <b>Illuminator</b>      |   |            |             |               |              |
| IR Range                | Up to 30m (98ft) IR range   |            |             |               |              |
| Wavelength              | 850nm   |            |             |               |              |
| IR On/Off Control       | Auto/Manual   |            |             |               |              |
| <b>Video</b>            |   |            |             |               |              |
| Video Compression       | Ultra 265, H.265, H.264, MJPEG  |            |             |               |              |
| H.264 code profile      | Baseline profile, Main profile, High profile  |            |             |               |              |
| Frame Rate              | Main Stream: 4MP (2560*1440), Max 25fps; 3MP (2304*1296), Max 30fps; 1080P (1920*1080), Max 30fps; 720P (1280*720), Max 30fps<br>Sub Stream: D1 (720*576), Max 30fps; 640*360,Max 30fps; 2CIF(704*288), Max 30fps; CIF(352*288), Max 30fps; |            |             |               |              |
| Video Bit Rate          | 128 Kbps~6144 kbps  |            |             |               |              |
| U-code                  | Supported   |            |             |               |              |
| OSD                     | Up to 4 OSDs  |            |             |               |              |
| Privacy Mask            | Up to 4 areas   |            |             |               |              |
| ROI                     | Up to 8 areas   |            |             |               |              |
| Motion Detection        | Up to 4 areas   |            |             |               |              |
| <b>Image</b>            |   |            |             |               |              |
| White Balance           | Auto/Outdoor/Fine Tune/Sodium Lamp/Locked/Auto2   |            |             |               |              |
| Image Setting           | Image rotation, brightness, saturation, contrast, sharpness, gain adjustable by web browser   |            |             |               |              |
| Digital noise reduction | 2D/3D DNR   |            |             |               |              |
| Smart IR                | Supported   |            |             |               |              |
| Flip                    | Normal/Vertical/Horizontal/180°   |            |             |               |              |
| Dewarping               | N/A   |            |             |               |              |
| HLC                     | Supported   |            |             |               |              |
| BLC                     | Supported   |            |             |               |              |
| Defog                   | Digital Defog   |            |             |               |              |
| <b>Events</b>           |   |            |             |               |              |
| Behavior Detection      | Cross line, intrusion(based on human body detection)  |            |             |               |              |
|                         | Motion detection, tampering alarm   |            |             |               |              |
| General Function        | Watermark, IP address filtering, access policy, ARP protection, RTSP authentication, user authentication  |            |             |               |              |

| Storage                |  |
|------------------------|--|
| Edge Storage           | Micro SD, up to 128GB  |
| Network Storage        | ANR, NAS(NFS)  |
| Network                |  |
| Protocols              | IPv4, IGMP, ICMP, ARP, TCP, UDP, DHCP, RTP, RTSP, RTCP, RTMP, DNS, DDNS, NTP, FTP, UPnP, HTTP, HTTPS, SMTP, QoS, SSL/TLS, SNMP   |
| Compatible Integration | ONVIF (Profile S, Profile G, Profile T), API , SDK   |
| User/Host              | Up to 32 users. 2 user levels: administrator and common user   |
| Security               | Password protection, Strong password, HTTPS encryption, Export operation logs, Basic and digest authentication for RTSP, Digest authentication for HTTP, TLS 1.2, WSSE and digest authentication for ONVIF |
| Client                 | EZStation<br>EZView<br>EZLive  |
| Web Browser            | Plug-in required live view: IE9+, Chrome 41 and below, Firefox 52 and below  |
|                        | Plug-in free live view: Chrome 57.0+, Firefox 58.0+, Edge 16+  |
| Interface              |  |
| Network                | 1 * RJ45 10M/100M Base-TX Ethernet   |
| Certification          |  |
| EMC                    | FCC: FCC Part 15   |
| Safety                 | CE: EN 60950-1<br>UL: UL60950-1<br>IEC 60950-1   |
| General                |  |
| Power                  | DC 12V±25%, PoE (IEEE 802.3af)   |
|                        | Power consumption: Max 4.0W  |
| Power Interface        | ∅ 5.5mm coaxial power plug   |
| Material               | Metal  |
| Working Environment    | -30°C ~ 60°C (-22°F ~ 140°F), Humidity: ≤95% RH (non-condensing)   |
| Storage Environment    | -30°C ~ 60°C (-22°F ~ 140°F), Humidity: ≤95% RH (non-condensing)   |
| Surge Protection       | 4KV  |
| Reset Button           | N/A  |
| Ingress Protection     | Ingression protection: IP67<br>Vandal resistant: IK10  |

## Dimensions



**Zhejiang Uniview Technologies Co.,Ltd.**

No. 369, Xietong Road, Xixing Sub-district, Binjiang District, Hangzhou City, Zhejiang Province, China

Email: [overseasbusiness@uniview.com](mailto:overseasbusiness@uniview.com); [globalsupport@uniview.com](mailto:globalsupport@uniview.com)

<http://www.uniview.com>

©2020-2022 Zhejiang Uniview Technologies Co., Ltd. All rights reserved.

Product specifications and availability are subject to change without notice.